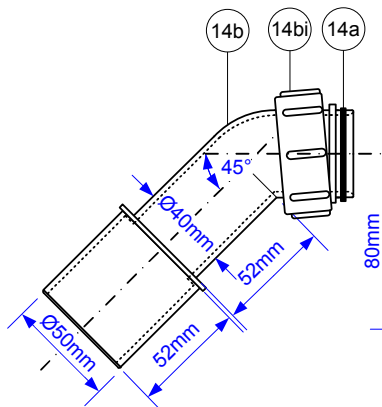
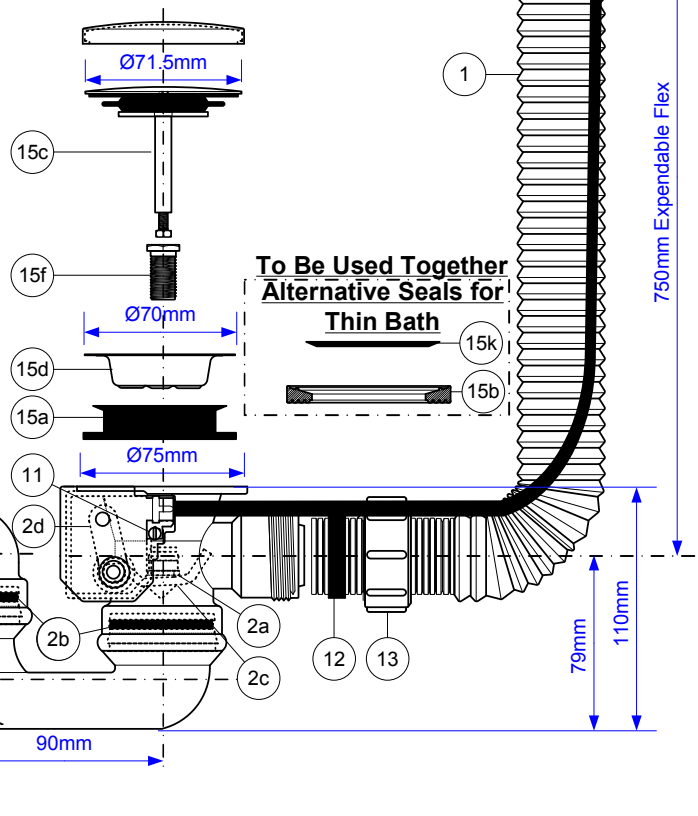
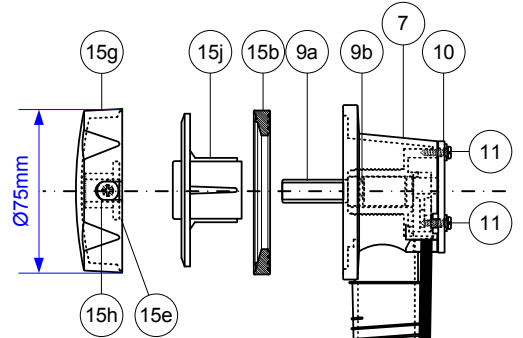


Code:

HC31SFCPP

CP Plastic Trim

Part No.	Code	Part No.	Code
1	FLEX34/40/34	14	STWBEND-50-SUB
2	HC3000-SUB	a	RW2
a	P-M12-SNAPNUT	b	STWBEND-4050BODY
b	P-OR-40X3MM	i	T8A
c	PUW-CAMARM-WUR	15	TRIM-CPP-HC31
d	PUW-CAMSH-WUR-ASSY	a	P-R-75MMDWFS
i	PUW-CAMSH-WUR	b	P-RWNEWSTW7.5
ii	PUW-ORING	c	PLUGCP72
e	PUW-HC3000-TRAP	d	PUW-70MMFLANGE
f	PUW-HC31SWCOCAP	e	PUW-BOSS
g	PUW-HC31SWPLUG	f	PUW-FERRULE
h	RW2	g	PUW-KNOBBTH-CP
3	L-HC31SFCPP	h	PUW-M5X20P/HPOZI
4	P-B-9.5X19 (Plastic Bag)	j	PUW-O/FFACEBTH
5	P-C-S2F20 (Carton)	k	RW-HC31SEAL
6	P-L-LGA-30MM (Label)		
7	PUW-BATHROSE		
8	PUW-CABLE-0.7M		
9	PUW-CAMSHWF-ASSY		
a	PUWCAMSHAFTWF		
b	PUW-ORING		
10	PUW-ENDPLATEWF		
11	PUW-P/HDSCREW		
12	S13-NITRILE		
13	S8B		



Drawing verified correct as of:	21/01/2016 RM	DRAWN BY	REVISD	FILENAME
		SCALE	DATE	DATE
		RM	03/11/2011, 24/03/2015 22/06/2015, 21/01/2016	HC31SFCPP.VSD
		1: 3.25		21/01/2016