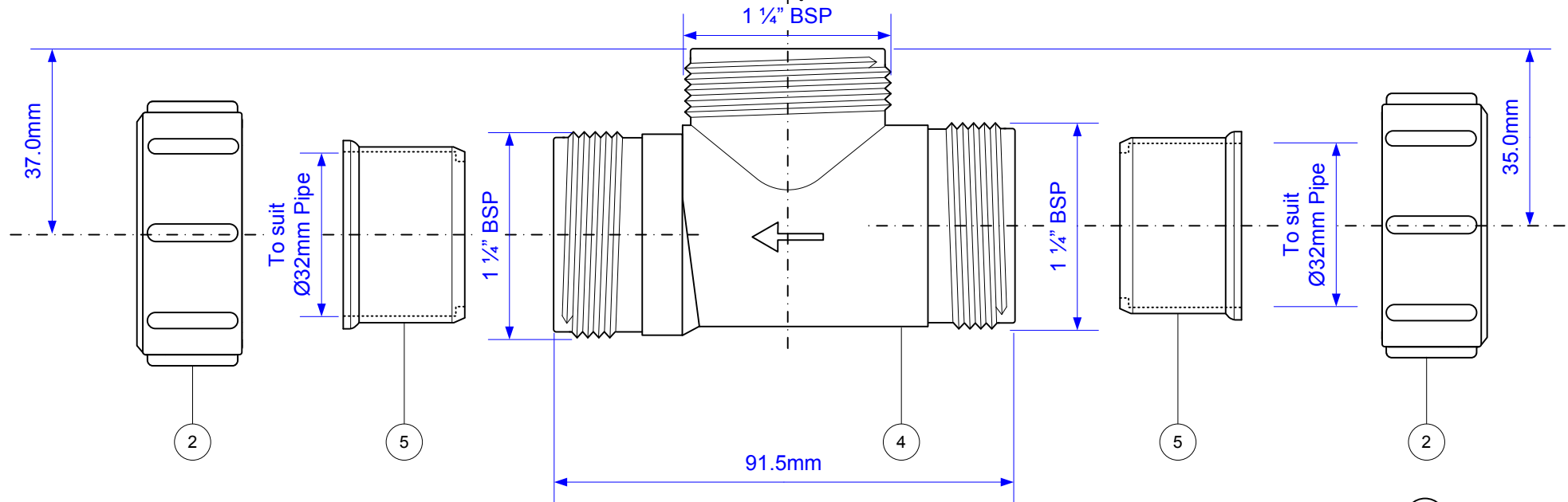
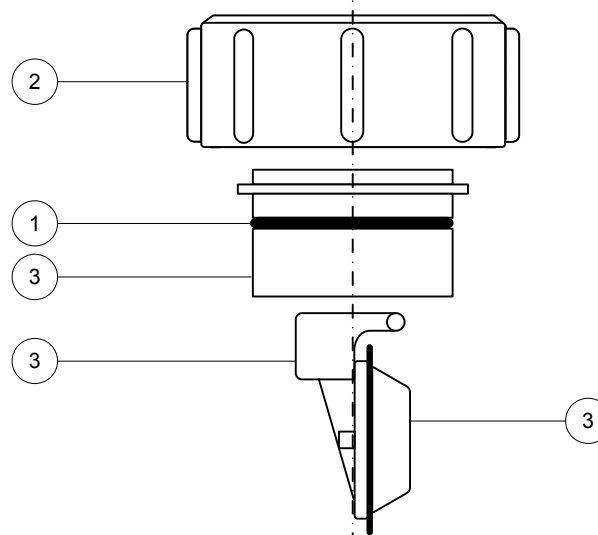


Code:

S28-NRV-32

Part No.	Code	Tool No.
1	P-OR-VP15	---
2	S8B	---
3	S28MNRVCARRIER	XP818 TPB22-SET2
4	S28NRVBODY	XP817 SMTPB1-SET3
5	S28NRVSEAL	Boy Cassette Tool



© McALPINE
19/06/2012

Drawing verified correct as of:

26/11/2014
RM

DRAWN BY

RM

REVISED

13/06/2011, 19/06/2012, 26/11/2014

FILENAME

S28-NRV-32.VSD

SCALE

1: 1.2

DATE

26/11/2014