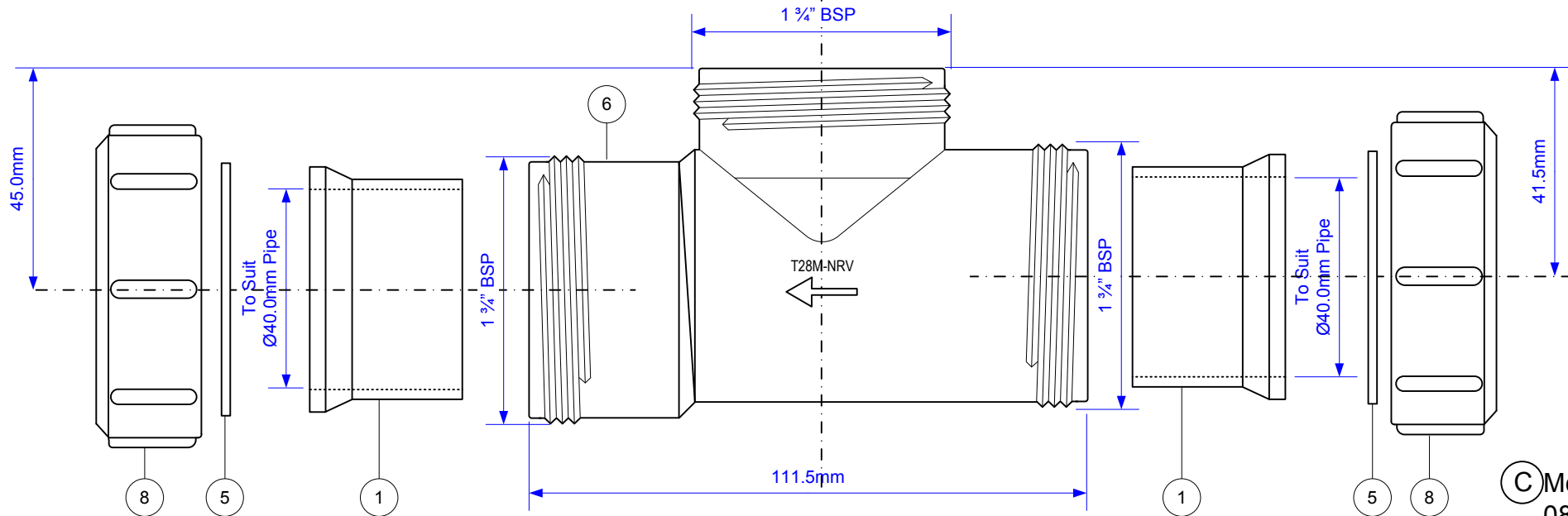
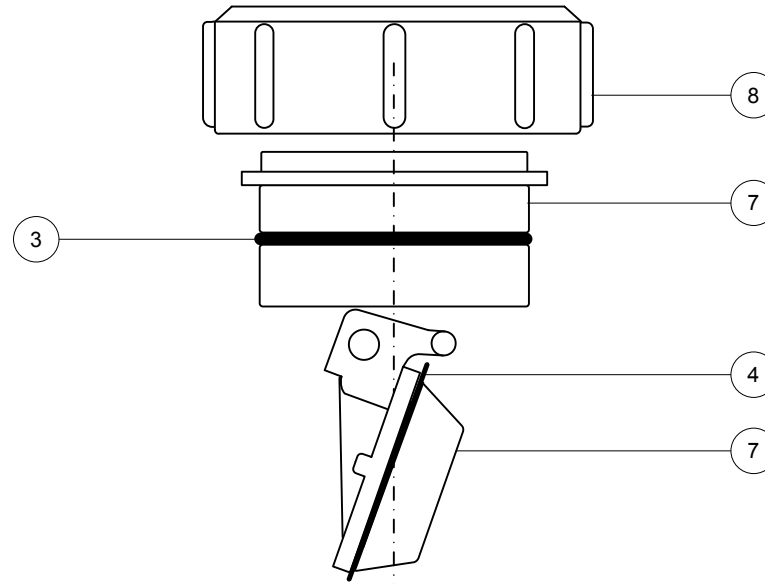


Code:

T28M-NRV-40

Part No.	Code
1	40MM-NITRILE
2	P-B-S270X250HMC
3	P-OR-T28MNRV
4	P-RW-N/R-VALVE
5	PWM2
6	T28MNRVBODY
7	T28MNRVCARRIER
8	T8M



© McALPINE
08/03/2011

Drawing verified correct as of:

26/11/2014
RM

DRAWN BY

RM

REVISED

13/06/2003, 08/03/2011, 26/11/2014

SCALE

1: 1.25

FILENAME

T28M-NRV-40.VSD

DATE

26/11/2014