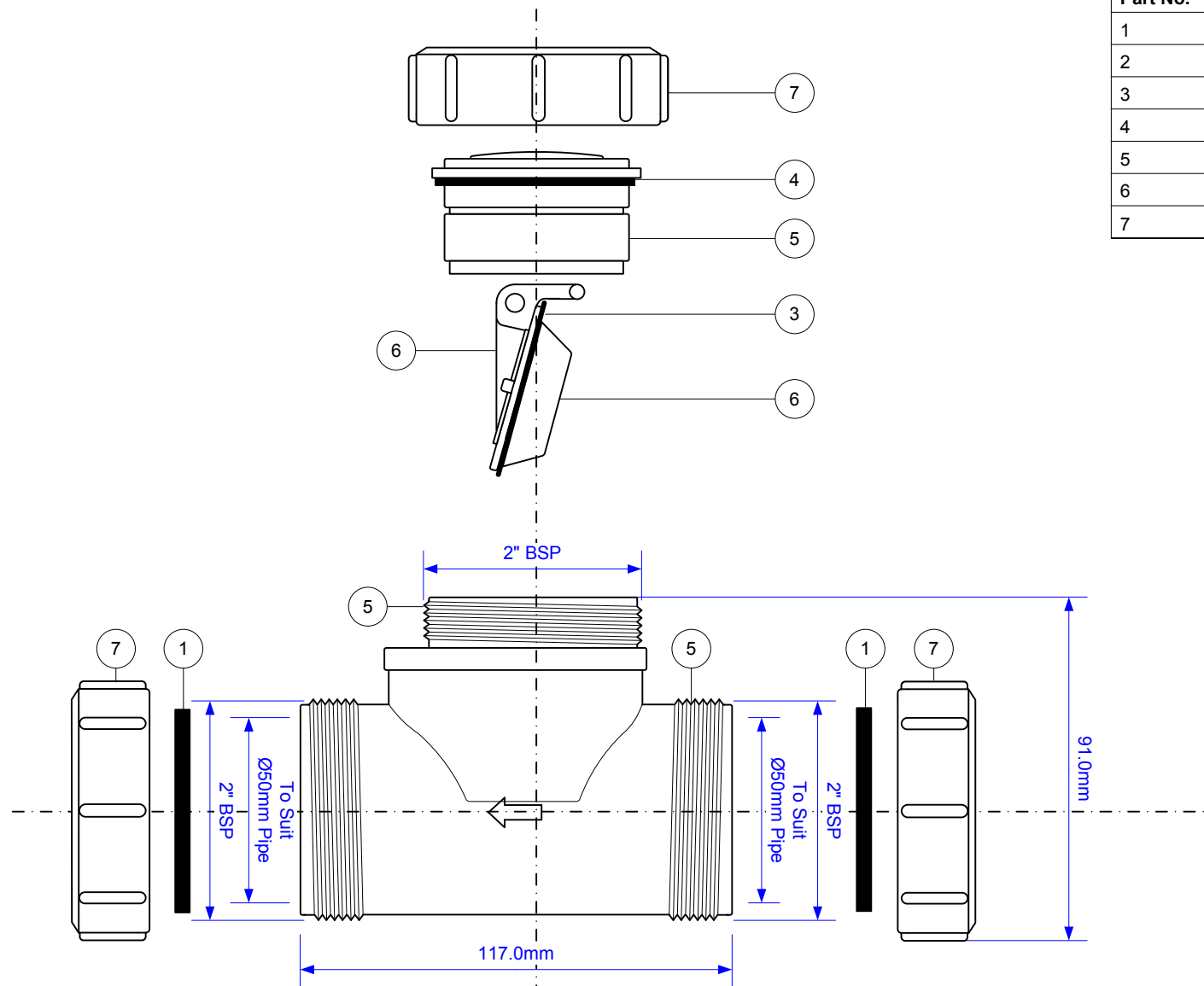


Code:

# Z2850-NRV

Part No.	Code
1	50M
2	P-B-16X24MC (Plastic Bag)
3	P-RW-Z28MNRV
4	RW3
5	Z2850NRVBODY (3 parts)
6	Z28MNRVCARRIER (2 Parts)
7	Z8B



Drawing verified correct as of:

27/05/2014  
RM

DRAWN BY

RM

REVISED

03/07/2013, 27/05/2014

FILENAME

Z2850-NRV.VSD

SCALE

1: 1.75

DATE

27/05/2014